

MKWCN

MICROKLEAN[®] NARROW WEB CLEANER

TACKY ROLLER CLEANING MACHINE FOR NARROW WEB APPLICATIONS

MKWCN provides an unequaled system for continuous contact cleaning.

Cleans down to sub-micron particle size

which makes it the highest efficiency dry cleaning process available.

Specially formulated polymer rollers lift and transfer
contaminates from your product surface to adhesive rolls.

No special chemicals, wipes, or handling needed.



**CLAM-SHELL OPENING
FOR EASY WEB FEEDING**



IDEAL APPLICATIONS

- Cleaning flexible material with narrow widths in reel-to-reel applications
- Films, label printing, holographics, flexographic, packaging, etc.



MICROKLEAN®
NARROW
WEB CLEANER
MKWCN



FEATURES

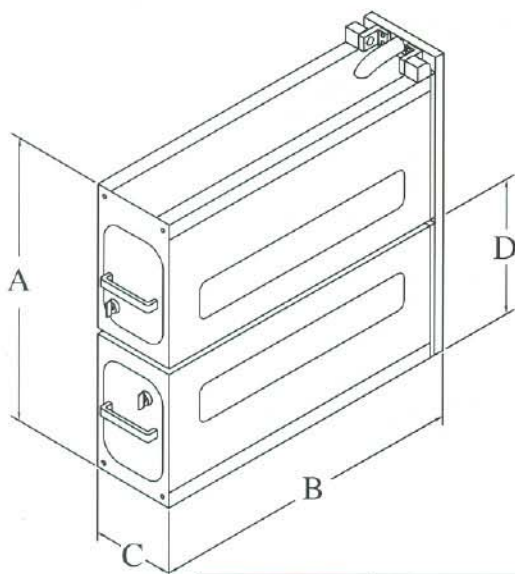
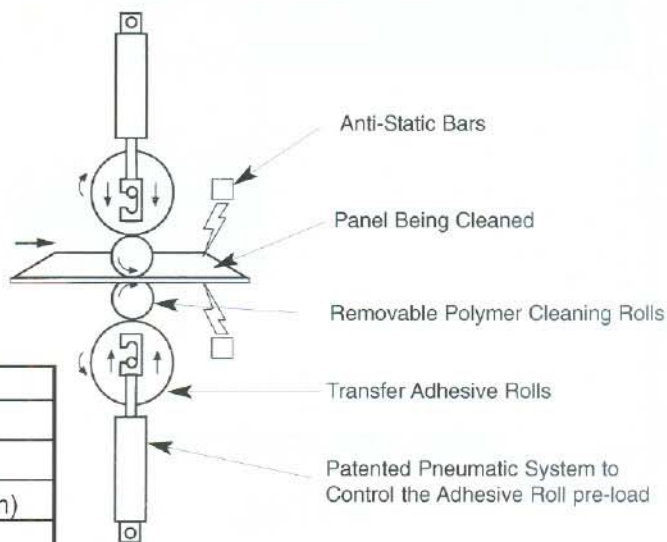
- ◆ Cleaning Widths: 12", 16", 20", 18", 24", 27"
- ◆ Small Machine Footprint
- ◆ Clam-shell Split opening for easy web threading
- ◆ Speed: Up to 700 FPM (Driven by your web)
- ◆ Double Sided Cleaning
- ◆ Single Sided Version Available
- ◆ Driven Version Available
- ◆ Upper and Lower Anti-Static Bars
- ◆ Pull out slides for adhesive rolls allowing fast and simple stripping of paper
- ◆ Remote control box
- ◆ All vital controls on front of machine
- ◆ Stainless steel construction

REQUIREMENTS

- ◆ 110VAC or 220VAC
- ◆ Air Supply for (60 P.S.I)

THE CLEANING PROCESS

Special polymer rollers lift the contaminate from the panel and transfers them to the adhesive roll. When the adhesive roll becomes laden with contaminate, simply strip the outer layer exposing a new clean surface of adhesive. Anti-static bars neutralize product, preventing re-contamination.



Cleaning Width	All sizes
A	17.75" (450 mm)
B	Cleaning Width+5.4" (137 mm)
C	5.75" (146 mm)
D	8.9" (226 mm)

INFORMATION CONTAINED IN THIS DOCUMENT
 SUBJECT TO CHANGE AT SDI DISCRETION



21 Morgan
 Irvine, CA 92618
 U.S.A.
 Phone (949) 583-1001
 Fax (949) 583-7007
 www.sdionline.com