

F300S and F300SQ

The F300S is a production-proven 300 watt/inch microwave-powered electrodeless lamp, packaged in a more compact form. This economical, modular 6-inch, remotely controlled lamp enables you to realize the full benefit of Fusion UV in your production process.

Popular “H”, “D” and “V” bulb spectra are available. The microwave lamp operates without the metal electrodes required in arc lamps and provides the most reliable, stable, and efficient UV curing system. It is the curing system of choice where minimal down time, minimum maintenance, and maximum product output are key performance parameters.



F300S: Modular Adaptability

The compact design of the F300S allows easy installation in terms of space and orientation. The irradiator module can be equipped with its own integral blower or, for even more compact requirements, an adaptor allows cooling provided by a remotely located blower. The power supply can be placed at any convenient location and connected to the irradiator module by easy-to-install cables.

F300S: Plug-In Simplicity

Connections are all pre-wired for easy plug-in installation. Power supplies can be interconnected to operate as a single system.

F300S: Building Block Versatility

Used as a single unit, the F300S provides a complete, self-contained six-inch curing source. Its modular design allows two or more irradiator modules to be placed end-to-end for curing

wider processes. Power supplies can be stacked on one another and interconnected into a single control system.

F300SQ: Quick Restart Option

An optional power supply feature permits the bulb to be restarted at any time after it has been turned off (eliminating the short wait time normally required to allow the bulb to cool).

The Electrodeless Bulb

- Several different spectral outputs. Enables users to optimize UV wavelength with the reactive sensitivity of chemistry being used and the desired properties of the end product.
- Long bulb life. This six-inch electrodeless bulb (BF9H) is warranted for 8000 hours, independent of on/off cycles.
- Rapid start and restart. Eliminates requirement for shutters and associated shutter mechanisms.
- High UV/Low IR output. Optimized bulb fill to give maximum ultraviolet output with minimum infrared. Less heat to substrate.
- Rapid bulb change. Bulb replacement can be accomplished in minutes.
- Full cure width maintained throughout bulb life. No blackening at bulb ends; therefore, no decrease in cure width.

The Irradiator

- Electrodeless technology. Frequent on/off operations have no adverse effect on UV output or bulb lifetime. Bulb also maintains spectral consistency throughout its life.
- Focused elliptical reflector. Concentrates maximum UV energy on substrate.
- Positive air cooling. Positive air flow through the reflector. Air may be supplied by integral blower or by remote blower.
- Engineered modular design. Modules can be placed end-to-end for uniform cure, and controlled individually or together.

The Power Supply

The power supply incorporates state-of-the-art technology. The benefits are:

- On/off/standby control. Allows easier, quicker start-up procedures.
- Safety interlocks.
- Production line connections. Lamps automatically switch on and off with production line.
- Production interlock. Lamp output monitored to eliminate product scrap or loss.
- Pullout control board. Eases service and component change.
- Full fault indicator array. If any section of the UV curing system fails, controls indicate the location of the failure.
- Master/slave option. For multiple power supply configuration. User programs master power supply to control others.
- Interconnectability. Can be intermixed with and controlled by other Fusion UV power supplies with appropriate interconnect cable.



SPECIFICATIONS: F300S and F300SQ

Specifications are for a single lamp system consisting of irradiator and power supply. Larger systems are constructed by placing lamp modules end-to-end; power supplies may be stacked and interconnected. F300S system uses P300MT power supply, F300SQ system uses P300MQ power supply.

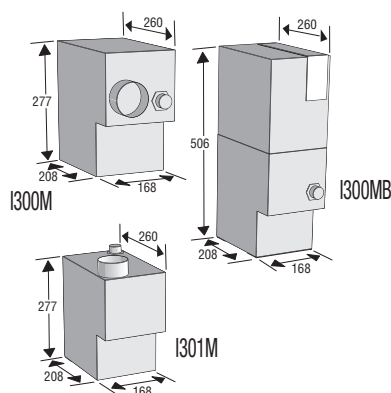
Irradiator: Models I300MB, I300M, I301M

Available with integral blower (I300MB), or with 3 inch diameter hose adaptor for remote blower (I300M or I301M).

Lamp Power: 300 w/in (120 w/cm); 1800 watts total.

Bulb Type: Standard style BF9. Standard spectra available.

Dimensions: 6.7" (168 mm) long (along bulb axis), x 8.2" (208 mm) wide at lamp face.



Height:

- I300MB 19.9" (506 mm). Blower top 6.7" (168 mm) x 10.3" (260 mm).
- I300M/I301M 10.9" (277 mm). Top surface 6.7" (168 mm) x 10.3" (260 mm).

Weight:

- I300MB 30 lbs. (14 kg).
- I300M/I301M 17 lbs. (8 kg).

Cooling: Minimum 100 cfm (2.8 m³/min) of filtered air at 2.6" water gauge (650 Pa) at the inlet [1.8" (450 Pa) measured at the housing], supplied by integral blower or via 3" diameter flexible hose from remote blower (not included).

Reflector Geometry: Semi-elliptical, focuses at 2.1" (53 mm) from irradiator face.

Fasteners: Metric.

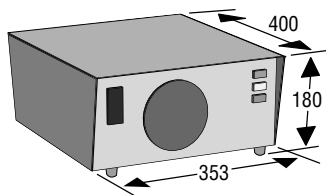
Substrate Location: 2.1" (53 mm) from irradiator face, for maximum irradiance.

Mounting Position: Can be mounted and operated in any position.

Mounting Enclosure: Supplied as custom item (must have exhaust system with approximately 130 cfm capacity per irradiator).

Power Supply: Model P300MT

Dimensions: 13.9" (353 mm) wide x 7" (180 mm) high x 15.8" (400 mm) deep. An additional 12" (300 mm) clearance is recommended for cable connection access at rear.



Weight: 68 lbs. (31 kg).

Cooling: Self contained internal fan.

Control Functions: Power ON/OFF; Lamp: ON/STANDBY/OFF-RESET.

Interlocks:

- UNIT:** Lamp Out, Power Imbalance, Power Error, Power Interrupted, Power Supply Temperature, Blower Pressure.
- SYSTEM:** System Blower, External Interlock, RF Interlock (RF Detector).

Test Points: Available on front panel.

RF Detector: Model RF1, with 13' (4 m) connecting cable (other cable lengths available).

Connections: 13' (4 m) cable assembly from power supply to irradiator (other cable lengths available). Line power connections and fused disconnect to be supplied by user.

Service Access: Removal of cover.

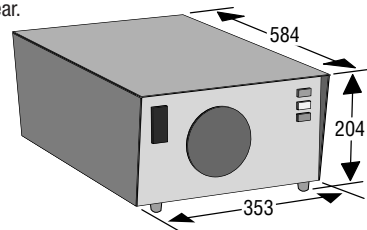
Stacking: Up to three power supplies may be stacked; soft feet fit into top dimples.

Power Connection: 200-240V, 18 amp, 50/60 Hz, 1 phase.

Power Supply: Model P300MQ

Quick-Restart Feature: Maintains low power to bulb during standby (up to 40 seconds) to permit lamp restart at any time, without 15 second cool-down period.

Dimensions: 13.9" (353 mm) wide x 8" (204 mm) high x 23" (584 mm) deep. An additional 12" (300 mm) clearance is recommended for cable connection access at rear.



Weight: 88.6 lbs. (40.3 kg).

All other specifications same as P300MT.

F300S and F300SQ systems are fully certified to applicable European and USA regulations and requirements.

Contact your local Fusion UV office for an engineered solution for your specific requirements.



FUSION UV SYSTEMS, INC.®

Fusion UV Systems, Inc. Corporate Headquarters

910 Clopper Road
Gaithersburg, Maryland
20878-1357 USA
+1 301-527-2660
FAX: +1 301-527-2661
+1 888-276-8600
(North American Toll Free)
www.fusionuv.com
e-mail: info@fusionuv.com

Fusion UV Systems West

Torrance, California
+1 310-370-9920
FAX: +1 310-370-9152

Fusion UV Systems GmbH

Martinsried, Germany
+49 89 899631-0
FAX: +49 89 899631-10
www.fusionuv.de

Kolarovo, Slovakia
+421 911 748111
FAX: +421 903 494571

Fusion UV Systems

Singapore
+65 6844 5538
FAX: +65 6844 5539

Fusion UV Systems Spectris China Ltd.

www.fusionuv.com.cn
Beijing, China
+8610-59935827/28
FAX: +8610-59935999
Guangzhou, China
+86 20 8756 8900
FAX: +86 20 2887 3848
Shanghai, China
+86 21 61133698
FAX: +86 21 61133699

Distributed by:

DDU Enterprises, Inc.

P: (310) 698-0288 F: (310) 698-0307

WWW.DOCTORUV.COM

Fusion UV Systems

Japan KK

Tokyo, Japan
+81 3 5542 3980
FAX: +81 3 5542 3992
www.fusionuv.co.jp

ISO 9001 Certified QMS



• U.S. Patent No. 3911318; 3872349; 3983039; 4042850; 4208587; 4359668; 4313969; 4269581; 4485332; 4507587; 4868509; 5471109; 5726815; 6419743; 6419749; 6509656; 6626561; 6646384B2; 6690112B2; 6740892B2; 6908586B2; 7037460B2; 7055990B2 • U.K. Patent No. 1482950 • Japan Patent No. 1142145; 1130584; 1974504; 2704982 • France Patent No. 7428765
• Canada Patent No. 1024246

Other U.S. and Foreign Patents Pending. We reserve the right to incorporate changes and improvements without notice.

01/08 Printed in USA SB 623 ©2008 Fusion UV Systems, Inc. The logo symbol and Fusion UV Systems, Inc. are registered trademarks of Fusion UV Systems, Inc.